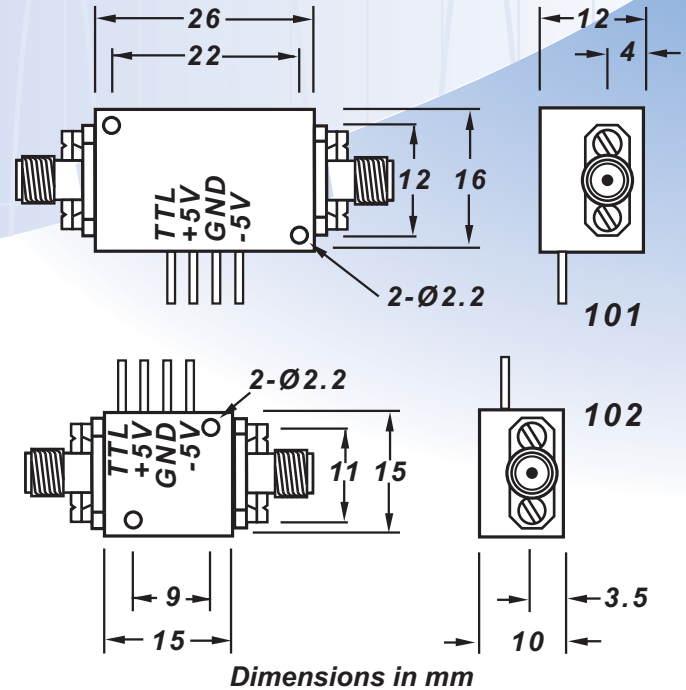


- 0.02 – 18 GHz
- Single Pole Single Throw
- TTL Control
- Absorptive & Reflective
- Octave & Multi-octave
- High Isolation
- Low Insertion Loss



General Specifications	
Impedance	50 ohms
DC Bias	+5 +/-0.5V @ 30mA -5 +/-0.5V @ 30mA
Control	TTL "0" Low Loss TTL "1" Isolation
RF Connectors	SMA female to MIL-C-39012
Bias & Control	Solder Pins
Housing	Gold Plated Brass Standard or Passivated Aluminium Optional
Lid Sealing	Epoxy
Operating Temperature Range	-55 C to +85 C
Custom Options	Higher power, faster speed, higher isolation, non-TTL

## Absorptive Switches

Model No	Frequency Range	Insertion Loss (dB)	VSWR	Isolation (dB)	Switching speed (nsec)	RF Power (W CW)	Package Choice
APS-1001-A	0.02 GHz - 0.5 GHz	1.4	1.5	80	100 - 500	0.2 - 1	101 / 102
APS-1002-A	0.02 GHz - 3 GHz	2.4	2.0	60	200	0.2	101 / 102
APS-1003-A	0.5 GHz - 1 GHz	1.5	1.5	80	100	0.2	101 / 102
APS-1004-A	1 GHz - 2 GHz	1.0	1.5	80	50	0.2	101 / 102
APS-1005-A	2 GHz - 4 GHz	1.6	1.5	80	50	0.2	101 / 102
APS-1006-A	2 GHz - 18 GHz	3.1	2.2	60	50	0.2	101 / 102
APS-1008-A	4 GHz - 8 GHz	2.0	1.6	60	50	0.2	101 / 102
APS-1009-A	8 GHz - 12 GHz	2.5	1.5	60	50	0.2 - 2	101 / 102
APS-1010-A	12 GHz - 18 GHz	3.2	2.0	60	50	0.2	101 / 102

## Reflective Switches

Model No	Frequency Range	Insertion Loss (dB)	VSWR	Isolation (dB)	Switching speed (nsec)	RF Power (W CW)	Package Choice
APS-1001-R	0.02 GHz - 0.5 GHz	1.2	1.5	80	100 - 500	0.2 - 1	101 / 102
APS-1002-R	0.02 GHz - 3 GHz	2.2	2.0	60	200	0.2	101 / 102
APS-1003-R	0.5 GHz - 1 GHz	1.3	1.5	80	100	0.2	101 / 102
APS-1004-R	1 GHz - 2 GHz	0.8	1.5	80	50	0.2	101 / 102
APS-1005-R	2 GHz - 4 GHz	1.2	1.5	80	50	0.2	101 / 102
APS-1006-R	2 GHz - 18 GHz	2.2	2.2	55	50	0.2 - 1	101 / 102
APS-1007-R	2 GHz - 18 GHz	2.4	2.2	80	50	0.2 - 1	101 / 102
APS-1008-R	4 GHz - 8 GHz	1.5	1.6	60	50	0.2	101 / 102
APS-1009-R	8 GHz - 12 GHz	1.8	1.7	60	50	0.2	101 / 102
APS-1010-R	12 GHz - 18 GHz	2.2	2.0	60	50	0.2	101 / 102

Specifications listed in the table are typical across the whole frequency range of each model.

Max./min. specifications over any specific frequency range may differ and could be significantly better over narrow bands.

For a guaranteed specification over your desired frequency range, together with a detailed mechanical outline, please contact the factory.

We reserve the right to change standard product specifications without notice but will be pleased to consider control drawings for quotation.