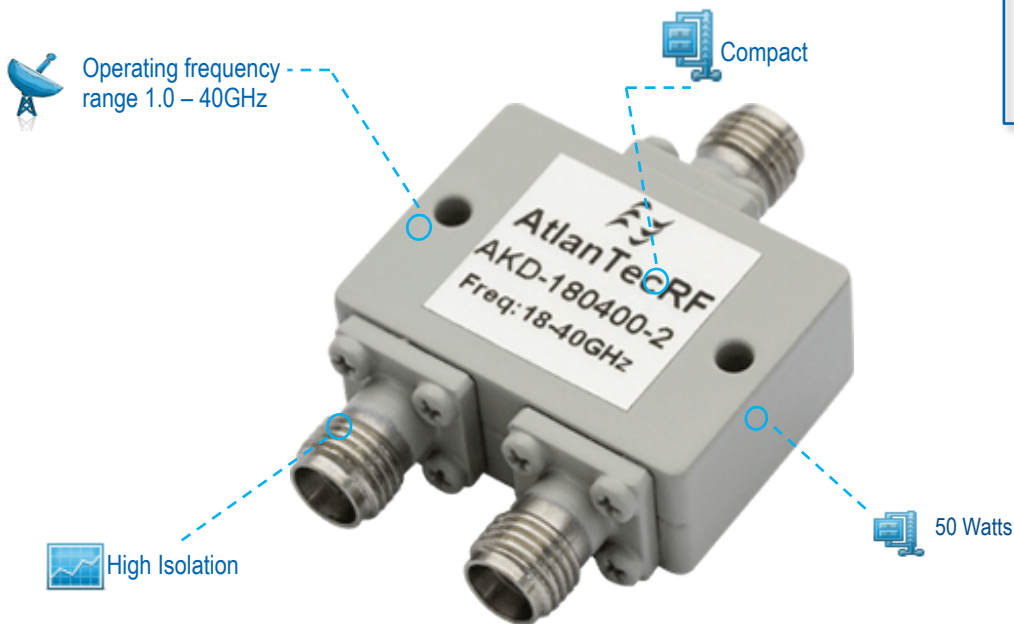


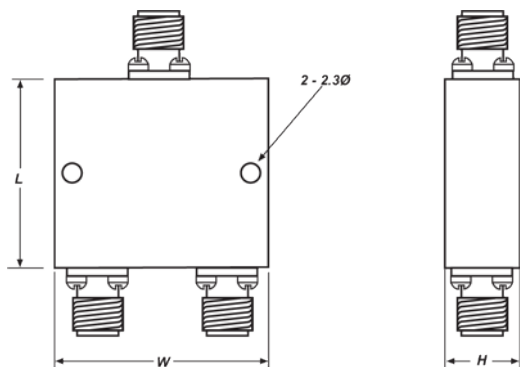
# Atlantic Microwave 40GHz Power Dividers

- 1.0 - 40.0GHz
- High Isolation
- Low Loss
- Low VSWR
- RoHS Compliant



General Specifications	
Impedance	50 ohms
Operating Temperature	-55 to +85C
Connectors	2.92mm Female Stainless Steel
Housing	Aluminium
Body Finish	Paint

Model No.	No. of Ways	Frequency Range (GHz)	Isolation (dB) min.	Insertion Loss (dB)	Input VSWR max.	Output VSWR max.	Phase Bal. (+/- deg)	Amp. Bal. (+/- dB)	Input Power (Watts)	Size (LxWxH) mm
AKD-010400-2	2	1.0-40.0	15	2.2	2.0	1.7	8	0.50	20	78 x 26 x 10
AKD-020400-2	2	2.0-40.0	16	1.8	1.8	1.5	6	0.40	20	42 x 26 x 10
AKD-020400-4	4	2.0-40.0	16	3.0	2.0	1.6	10	0.50	20	46 x 52 x 10
AKD-060400-2	2	6.0-40.0	16	1.3	1.7	1.5	5	0.40	10	19 x 26 x 10
AKD-060400-4	4	6.0-40.0	15	2.0	2.0	1.6	8	0.40	20	35 x 52 x 10
AKD-060400-8	8	6.0-40.0	15	2.5	2.1	1.8	10	0.50	20	40 x 104 x 10
AKD-100400-2	2	10.0-40.0	15	1.3	1.7	1.6	5	0.40	10	19 x 26 x 10
AKD-100400-4	4	10.0-40.0	16	2.0	1.8	1.6	8	0.40	20	35 x 52 x 10
AKD-180400-2	2	18.0-40.0	16	1.6	1.6	1.6	4	0.40	20	19 x 26 x 10
AKD-180400-4	4	18.0-40.0	16	1.6	1.8	1.6	6	0.40	10	25 x 52 x 10



Outline is a typical illustration only, for detailed outlines please consult factory.

Note 1: The specification is subject to regular reviews and will be updated from time to time as part of our continuing product development and improved spec accuracy.  
 Note 2: Operation beyond the quoted limits stated above may cause instantaneous and permanent damage.

