

Double-ridged Horn Antenna

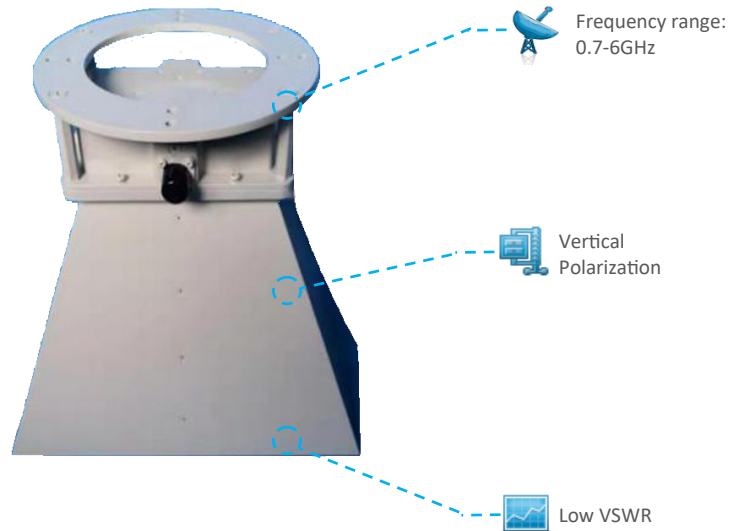
0.7-6GHz

- Low VSWR
- Vertical Polarization
- Excellent impedance match and radiation pattern control
- N-type Female Connector

The Atlantic Microwave Antenna shows uniform gain through its frequency span, resulting in excellent performing characteristics and directionality.

Its convenient shape reduces the antenna volume and weight making it specially suitable for mobility requirements during operation.

Made of lightweight corrosion-resistant aluminium, has been designed to provide years of trouble-free indoor and outdoor operational capabilities, in a fixed location, ideally suited for EMI testing, system integration, CATR, direction finding, surveillance and antenna gain and pattern measurements.



RF Parameters			
Frequency Range			0.7-6GHz
Gain			≥6dB
Polarization			Vertical
VSWR	Typ.		≤2.5
Input Type	Coaxial	Impedance (Ω)	50
Operation Temperature	-35°C~+55°C	Size	≤340mm×260mm×290mm (excluded mounting plate)
Storage Temperature	-65°C~+85°C	Material	Aluminium Alloy
Input Connector	N-type Female	Location	Indoor and Outdoor

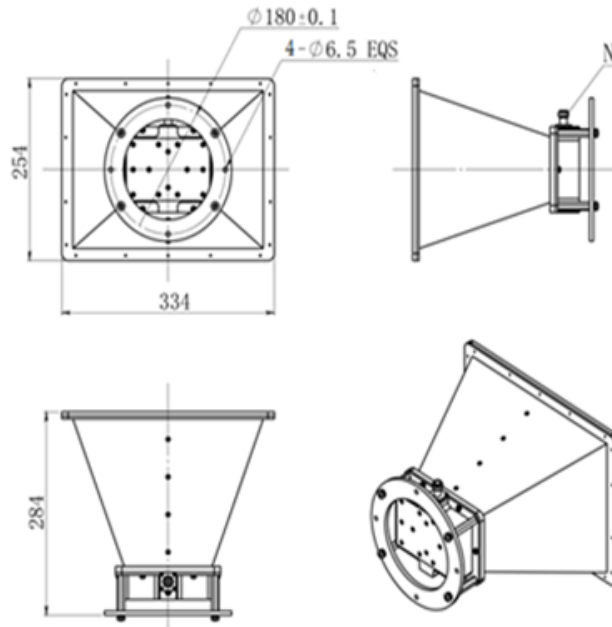
Note 1: The specification provided is at nominal bias voltage and at 25°C unless otherwise specified.

Note 2: The specification is subject to regular reviews and will be updated from time to time as part of our continuing product development and improved spec accuracy.

Note 3: Operation beyond the quoted limits stated above may cause instantaneous and permanent damage.



Outline Drawing:
All dimensions are in mm



Typical RF Performance

Gain

Frequency (GHz)	Max Gain (dB)
0.7	6.2
1	7.9
2	8.5
3	9.9
4	10.3
5	11.1

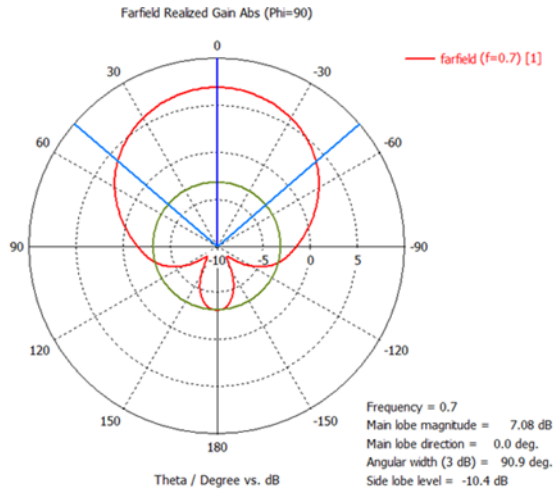
Note 1: The specification provided is at nominal bias voltage and at 25°C unless otherwise specified.

Note 2: The specification is subject to regular reviews and will be updated from time to time as part of our continuing product development and improved spec accuracy.

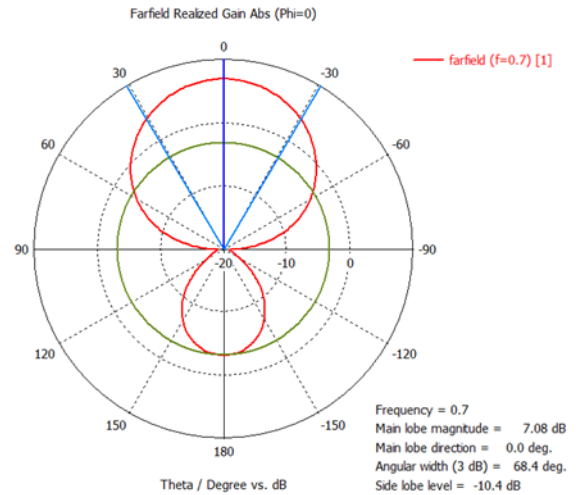
Note 3: Operation beyond the quoted limits stated above may cause instantaneous and permanent damage.



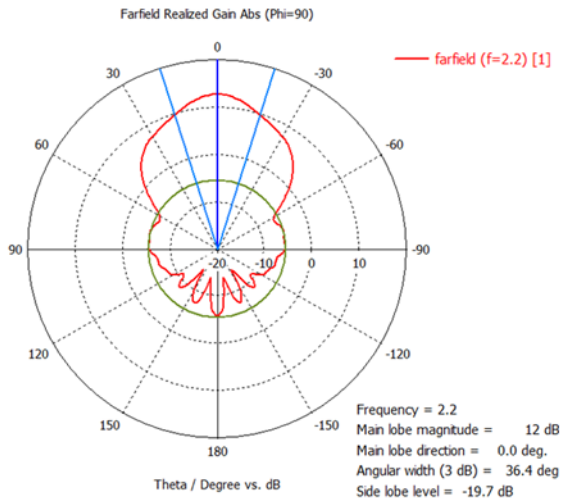
Pattern



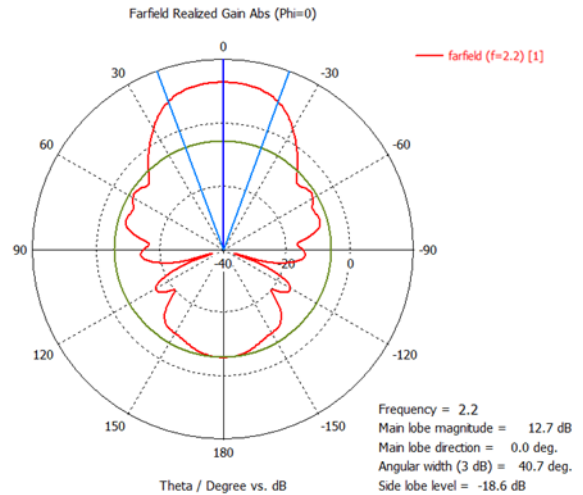
P1 @0.7GHz



P2 @0.7GHz



P3 @2.2GHz



P4 @2.2GHz

Note 1: The specification provided is at nominal bias voltage and at 25°C unless otherwise specified.

Note 2: The specification is subject to regular reviews and will be updated from time to time as part of our continuing product development and improved spec accuracy.

Note 3: Operation beyond the quoted limits stated above may cause instantaneous and permanent damage.

