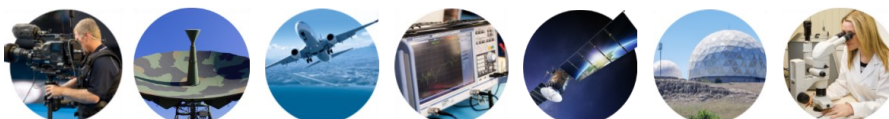


# Pin Diode SP6T Switch

Pulse latching with indicators, 28V DC

Characteristics				
Frequency Range (GHz)	DC-4	4-8	8-12.4	12.4-18
VSWR (Max.)	1.2:1	1.3:1	1.4:1	1.5:1
Insertion Loss (dB Max.)	0.2	0.3	0.4	0.5
Isolation (dB Min.)	80	70	60	60
Average Power (Watts, Typ.)	85	55	45	35
Nominal Impedance (Ohm)	50			
Temperature Range (Operating)	-40°C—+85°C			
Temperature Range (Storage)	-55°C—+100°C			
Switching Action	Break before make			
Operating Voltage (Over Temp)	22—30 Vdc			
Switching Voltage (Min. @ 20°C)	20 Vdc			
Actuating Current (mA Max.)	130 mA @ 28 Vdc & 20°C			
Switching Time (Max.)	15 mSEC			
Life (Min. Per Position)	1* 10 <sup>6</sup> Cycles			
Indicator Contact Rating	5 Watts Typ., 175 Vdc Max., 0.25 A Max.			
Weight (oz)	7.0 Nom.			

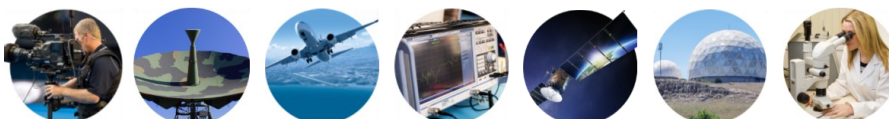
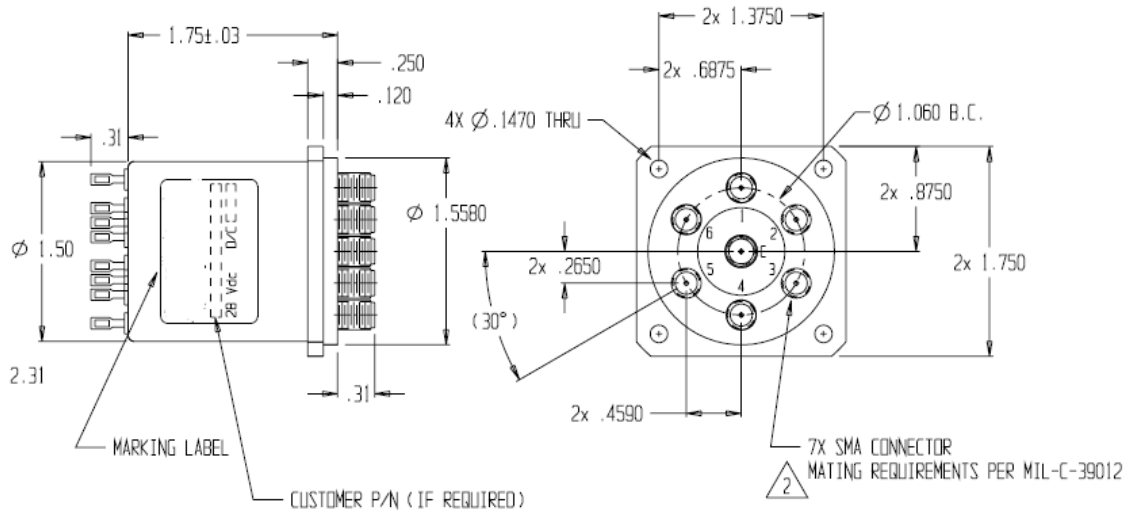
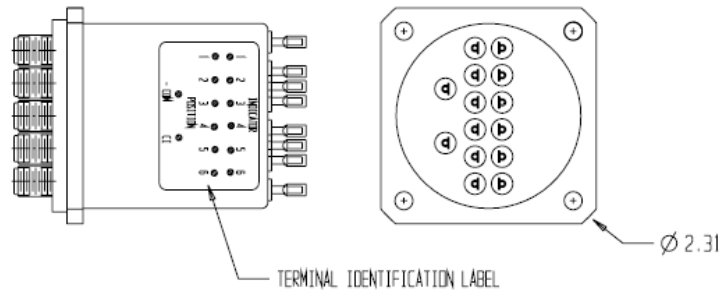
Materials/Finish	
Housing	Aluminium/ RoHS Nickel
Cover	Aluminium/ Black Anodized
Connectors	Stainless Steel/ Passivate
Insulation	Teflon
Contacts	Beryllium Copper/Gold
Terminals	Ni-Fe/Sn Plated



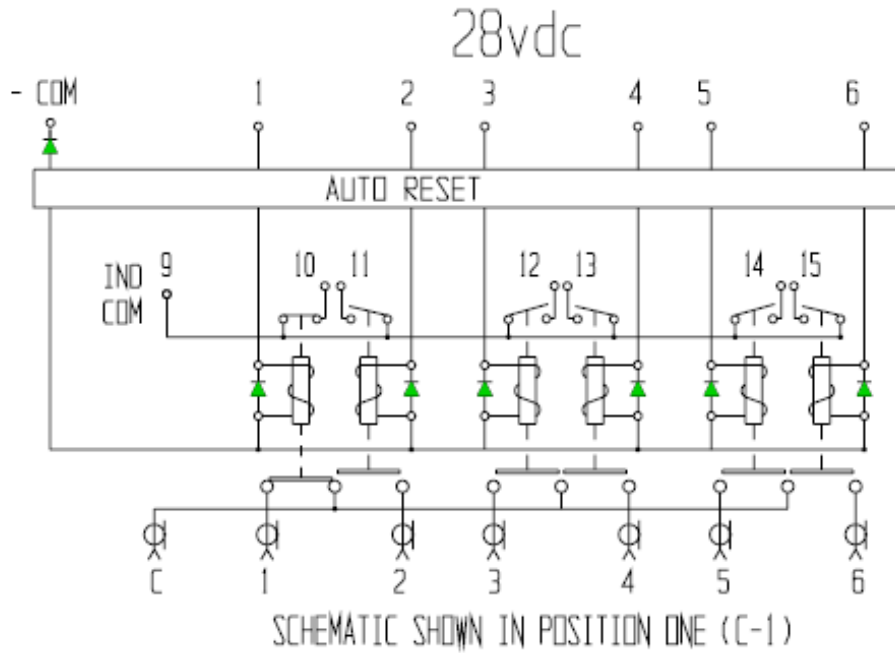
## Outline Drawing:

NOTES:

1. INTERPRET CALLOUTS/SYMBOLS PER ASME Y14.5M-1994
2. RECOMMENDED MATING CONNECTOR TORQUE IS 8 lb-in (90 N-cm)  
DO NOT EXCEED 12 lb-in (136 N-cm) AS DAMAGE TO CONNECTOR MAY RESULT.
3. VERIFICATION OF CHARACTERISTICS ARE IN REFERENCE WITH MIL-DTL-3928.
4. RECOMMENDED PULSE WIDTH DURATION FOR SWITCHING RELAY, 50-500 MILLISECONDS.
5. THIS RELAY IS ROHS COMPLIANT.



Schematic:



Note 1: The specification is subject to regular reviews and will be updated from time to time as part of our continuing product development and improved spec accuracy.  
Note 2: Operation beyond the quoted limits stated above may cause instantaneous and permanent damage.

