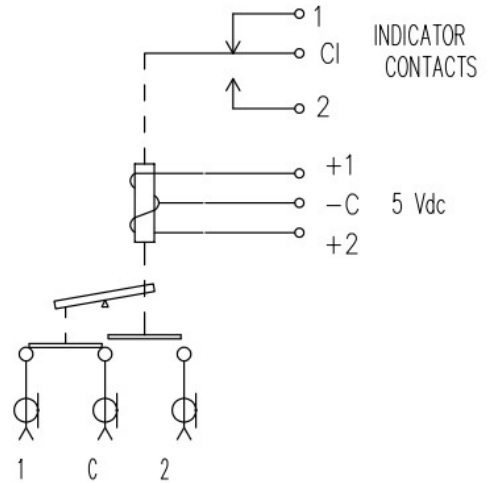
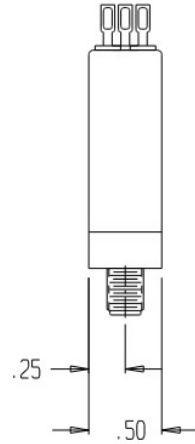
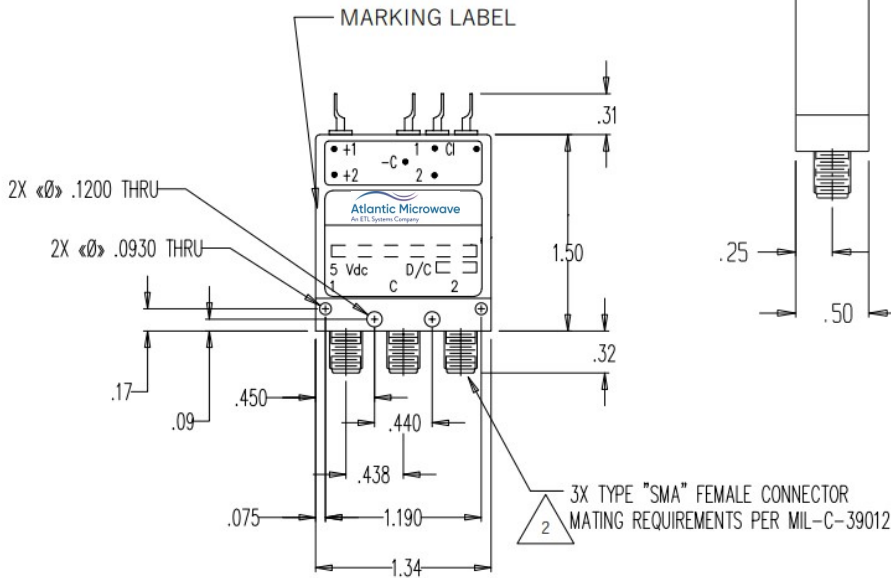


Coaxial 1P2T Relay Switch

DC-18GHz

- Coaxial 1P2T
- DC-18GHz
- 5V DC
- Latching
- With indicators
- SMA Female connectors



(SCHEMATIC SHOWN IN POSITION 1)
(+1 LAST ENERGIZED)



All dimensions are in inches

		RF Parameters			
Frequency Range		DC-4	4-8	8-12.4	12.4-18
Insertion Loss (dB) Max		0.2	0.3	0.4	0.5
VSWR Max		1.2:1	1.3:1	1.4:1	1.5:1
Isolation (dB) Min		80	70	60	60
Average Power (W) Typ		85	55	45	35
Connectors		50Ω SMA Female			

Characteristics		
Switching Speed (msec) Max		15
Life cycles Min		1 * 10 ^ 6 Cycles
Weight (oz) Typ		1.4

Operating Parameters	
Operating Voltage	5V nominal
Actuating Current (mA Max)	620 @ 5 Vdc & 25° C

Environmental	
Operating Temperature	-40° C to + 85° C
Storage Temperature	-55° C to +100° C
Altitude	30,000 Feet Max

Note 1: The specification provided is at nominal bias voltage and at 25°C unless otherwise specified.

Note 2: The specification is subject to regular reviews and will be updated from time to time as part of our continuing product development and improved spec accuracy.

Note 3: Operation beyond the quoted limits stated above may cause instantaneous and permanent damage.

