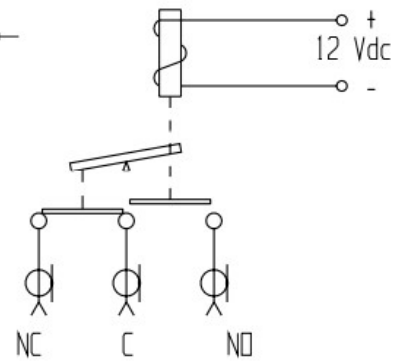
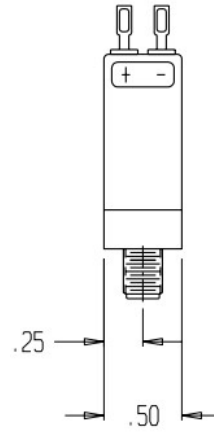
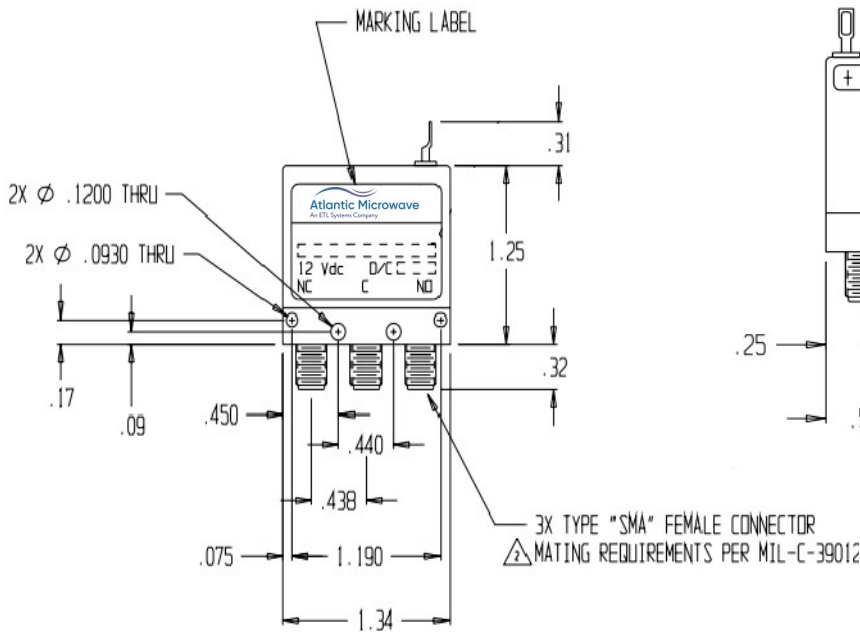


Coaxial Switch 1P2T

DC-18GHz

- Coaxial switch 1P2T
- DC-18GHz
- 12V
- Failsafe
- Without indicators
- SMA Female



RF Parameters					
Frequency Range		DC-4	4-8	8-12.4	12.4-18
Insertion Loss (dB)	Max	0.2	0.3	0.4	0.5
VSWR	Max	1.2:1	1.3:1	1.4:1	1.5:1
Isolation (dB)	Min	80	70	60	60
Average Power (Watts)	Typ	85	55	45	35
Connectors		50Ω SMA Female			

Characteristics		
Switching Speed (msec)	Max	15
Life cycles	Min	1 * 10 ^ 6 Cycles
Indicator Contact Rating		5 watts typ. 175V Max. 0.25A Max.
Weight (oz)	Typ	1.2

Operating Parameters	
Operating Voltage	10-14 Vdc
Switching Voltage	9 Vdc
Actuating Current	190mA @ 12 Vdc & 25° C

Environmental	
Operating Temperature	-40° C to + 85° C
Storage Temperature	-55° C to +100° C
Altitude	30,000 Feet Max

Note 1: The specification provided is at nominal bias voltage and at 25°C unless otherwise specified.
 Note 2: The specification is subject to regular reviews and will be updated from time to time as part of our continuing product development and improved spec accuracy.
 Note 3: Operation beyond the quoted limits stated above may cause instantaneous and permanent damage.

