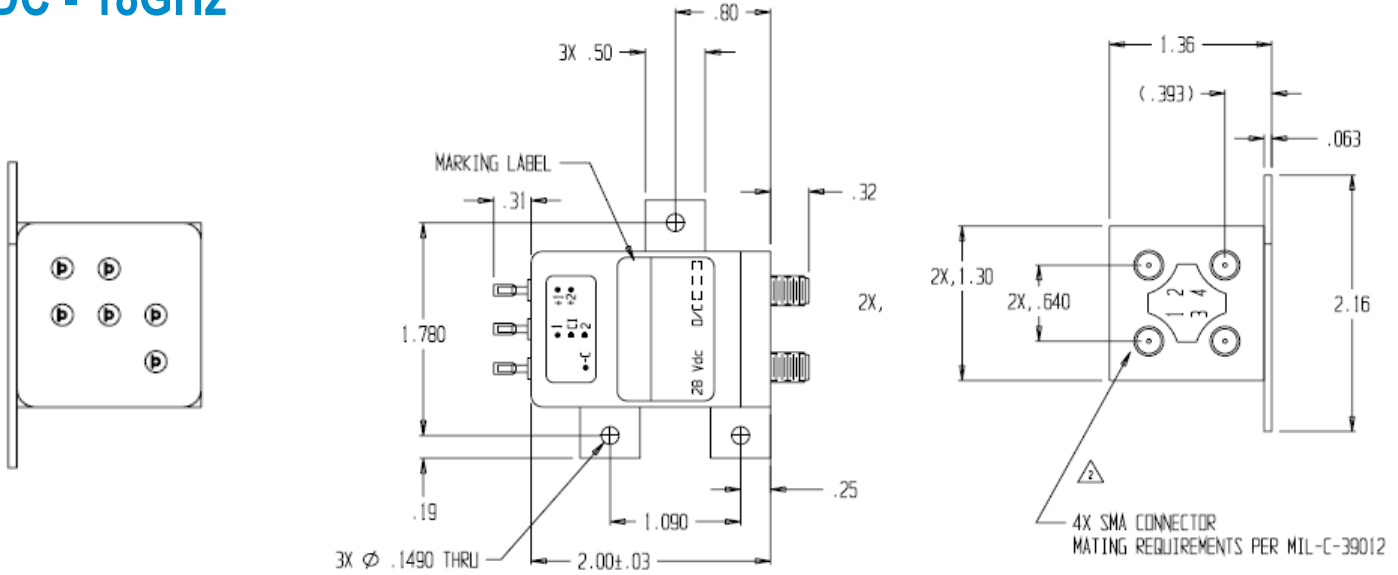


# Coaxial Transfer Relay Switch

DC - 18GHz

- Coaxial Switch
- DC-18GHz
- Pulse Latching
- With indicators
- SMA Connectors



**Outline Drawing:**  
All dimensions are in inches

		RF Parameters			
Frequency Range (GHz)		DC - 4	4-8	8-12.4	12.4-18
VSWR	Max	1.2:1	1.3:1	1.4:1	1.5:1
Insertion Loss (dB)	Max	0.2	0.3	0.4	0.5
Isolation (dB)	Min	80	70	65	60
Average Power (Watts)	Typ	85	55	45	35
Impedance		50Ω			

Characteristics		
Switching Time	Max	15 mSec
Switching Action		Break Before Make
Life cycles	Min	1 * 10 ^ 6 Cycles
Connectors		SMA Female
Weight (oz)	Nom	3.6

Operating Parameters	
Operating Voltage (Over temp)	24 - 32 Vdc
Pick Up Voltage (Min @ 25°C)	21 Vdc
Actuating Current (mA max)	185 @ 28 Vdc & 25°C

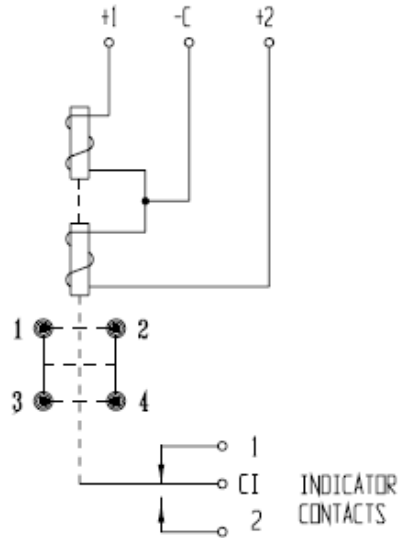
Environmental	
Operating Temperature	-40°C to +85°C
Storage Temperature	-55°C to +100°C
Altitude	30,000 Feet Max.

Note 1: The specification provided is at nominal bias voltage and at 25°C unless otherwise specified.

Note 2: The specification is subject to regular reviews and will be updated from time to time as part of our continuing product development and improved spec accuracy.

Note 3: Operation beyond the quoted limits stated above may cause instantaneous and permanent damage.





SCHEMATIC SHOWS POSITION 1 LAST ENERGIZED

POS. 1	1-2	3-4	(OPEN)	POS. 2	1-3	2-4	(OPEN)
	1-3	2-4	(CLOSED)		1-2	3-4	(CLOSED)

Note 1: The specification provided is at nominal bias voltage and at 25°C unless otherwise specified.

Note 2: The specification is subject to regular reviews and will be updated from time to time as part of our continuing product development and improved spec accuracy.

Note 3: Operation beyond the quoted limits stated above may cause instantaneous and permanent damage.

