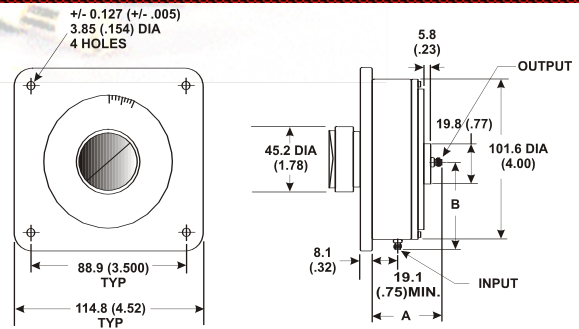


Variable Attenuator

VA02-VA05

VA02: DC - 2.0 GHz
 VA03: DC - 3.0 GHz
 VA04: DC - 4.0 GHz
 VA05: DC - 5.0 GHz

5 WATTS



Features

SMA and Type N stainless steel M/F connectors per MIL-STD-348A, interface dimensions mate nondestructively with MIL-PRF-39012. Designed to meet MIL-DTL-3933 environmental specification. Features wide attenuation range, low residual insertion loss, and a long life.

Specifications

Nominal Impedance: 50 ohms.

Frequency Range: VA02: DC - 2.0 GHz.
 VA03: DC - 3.0 GHz.
 VA04: DC - 4.0 GHz.
 VA05: DC - 5.0 GHz.

Power Sensitivity: < 0.005 dB/dB/W;
 Bidirectional in power.

Power Rating: 5 W maximum rated average power to 40°C ambient temperature, de-rated linearly to 0 W at 85°C **500 W** peak power (5 µsec pulse width, 0.5% duty cycle).

Temperature Range:
 Operating: 0°C to +85°C
 Non-Operating: -55°C to +125°C

Temperature Coefficient: < 0.001 dB/dB/°C.

Construction: Stainless steel connectors, rugged construction, O-ring seal for faceplate. RoHS Compliant.

Calibration: Dial Calibrated in 1 dB increments at the mid-band frequency. (Dial is for reference only)

Rugged Construction: Designed and tested to meet the environmental requirements of MIL-DTL-24215.

Attenuation Range:

VA02: 60, 90, or 115 dB
 VA03: 60, or 90 dB
 VA04: 60, or 90 dB
 VA05: 60 dB

Resolution:

60 dB ~180°
 90 dB ~240°
 100 dB ~270°
 115 dB ~285°

Options: Rack Mount Kit, Bench Top Stand

Frequency (GHz)	VSWR (Max)			
	VA02	VA03	VA04	VA05
DC - 1.0	1.50	1.50	1.50	1.50
1.0 - 2.0	1.60	1.60	1.60	1.60
2.0 - 3.0	N/A	1.70	1.70	1.70
3.0 - 5.0	N/A	N/A	1.80	1.80

Attenuation Ranges	Insertion Loss (dB), Nominal			
	VA02	VA03	VA04	VA05
60-115 dB	5	5	5	5

Dimensions:

Weight: 1.13 (39.86)

Connector Option	DIM "A" mm (in.)	DIM "B" mm (in.)
-34	66.0 (2.6)	68.1 (2.68)
-44	66.0 (2.6)	71.9 (2.83)
-33	61.0 (2.4)	68.1 (2.68)
-12	55.6 (2.19)	58.2 (2.29)
-22	55.6 (2.19)	61.5 (2.42)
-11	52.3 (2.06)	58.2 (2.29)

Note: Dimensions are given in mm (in), or g (oz). Weight figure is nominal, with our standard connector configuration. Additional connector options may be available.